

# TT950

BATTERY POWERED ELECTRIC PUSHER  
WITH REMOTE CONTROL FOR SHOPPING CARTS

ZERO EMISSIONS

QUIET

LOW MAINTENANCE



**Folding and height adjustable tiller** for better comfort of use



**Radio Remote control** to manage shopping cart pushing



**Two modes for handling on flat surfaces and on ramps**



**Adjustable accessory for shopping cart**

  
MADE IN ITALY

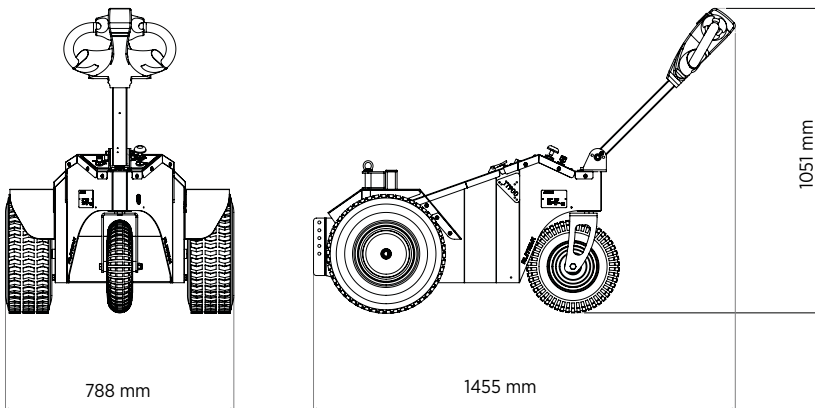
**ARSAM**

[www.arsam.es](http://www.arsam.es)

The TT-950 is a three wheeled pedestrian pusher, with remote control designed to easily move shopping carts in supermarkets and shopping centers. It reduces the manual effort required to perform repetitive tasks, thereby improving productivity and reducing the chance of work related injuries. Its motor-power allows the handling to the parking area of 30 shopping carts on flat grounds. To grant a better visibility it is fitted with an operational flashing light.

**ALITRAK**<sup>®</sup>  
ELECTRIC MINDED

[www.alitrak.com](http://www.alitrak.com)



## FEATURES

Equipment body	<b>3 wheels</b>
Driving wheels on differential	<b>Garden type polyurethane filled</b>
Driving control type	<b>Remote control and foldable tiller</b>
Accelerator	<b>Butterfly type</b>
Shopping cart attachment	<b>external dimensions min. 518 mm max. 698 mm wheel support size 66 mm max rear wheel cart diameter 125 mm</b>
Battery charger	<b>External, 13 A High Frequency</b>
Dashboard display	<b>Remaining battery charge</b>
Parking brake	<b>Electromagnetic with the possibility of release</b>
Batteries	<b>AGM 2X12V/85 Ah C 20</b>
Electric motor	<b>24V/900 watt S1</b>
Product net weight	<b>185 kg abt</b>

## PERFORMANCES

Cart Pushing capacity on flat surface	<b>30 shopping carts</b>
Max pushing speed on flat surface mode	<b>4km/h abt</b>
Battery recharging time	<b>8 hours abt</b>

Features shown are subject to change without notice

