

TT3000P

BATTERY-POWERED ELECTRIC TUG
TO PULL LOADS **UP TO 14000 KG***

ZERO EMISSIONS

QUIET

LOW MAINTENANCE



Tilting tiller with micro safety switch and automatic return to rest position



Speed switch to operate in narrow spaces



4 Hooks positions to pull at different heights



Integrated battery charger with charge status information


MADE IN ITALY

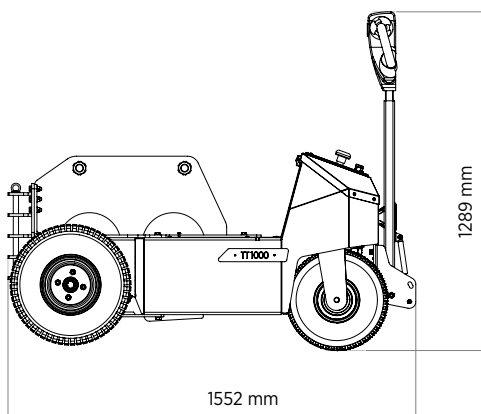
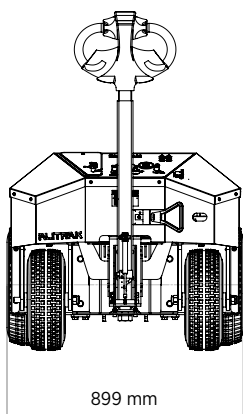
ARSAM

www.arsam.es

The TT-3000P is a towing equipment on four wheels with a powerful motor, designed to tug heavy loads on wheels. In spite of significant size and weight, it is agile and safe. The opportunity to add ballast for increased traction, completes the characteristics of this particular vehicle. (Product image with ballast accessory, not included in the basic version).

ALITRAK[®]
ELECTRIC MINDED

www.alitrak.com



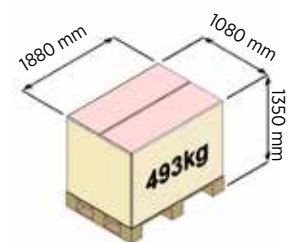
ALITRAK[®]
ELECTRIC MINDED
www.alitrak.com

FEATURES

Equipment body	4 wheels
Driving wheels on differential	Garden type polyurethane filled
Driving control type	Tilt tiller
Accelerator	Butterfly type
Hook Height (4)	Abt 260, 340, 420, 500 mm
Battery charger	Integrated, 25A High Frequency, with charge status information
Dashboard display	Remaining battery charge Equipment failures Hour meter
Parking brake	Electromagnetic with the possibility of release
AGM batteries	4 x 12V/115 Ah C20
Electric motor	24V/3000 watt AC S2 60 min.
Product net weight	430 kg abt

PERFORMANCES

Weight movement capacity on flat surface up to*	14000 kg
Pulling speed:	
Fast	4 Km/h abt
Slow	2,5 km/h abt
Pushing speed:	
Fast	3 Km/h abt
Slow	1,5 Km/h abt
Battery recharging time	8 hours abt



*The weight movement capacity is an indication., that can change with different machine fittings and working conditions (type of ground, wheel type, use of ballast, etc.)

Features shown are subject to change without notice

ACCESSORIES



Tow ball



Tow ball on lifter



Different hook types



Flatbed



Pushing block



Ballasts
2x19 Kg



Flashing light



Different tyres and
tread profiles



Anti flat tire
treatment by
polyurethane filled
wheels