

LT300

BATTERY-POWERED ELECTRIC TUG
TO PULL LOADS **UP TO 1000 KG***

ZERO EMISSIONS

QUIET

LOW MAINTENANCE



Compact, ideal for handling and storing the vehicle in confined spaces



Foldable tiller with variable height, for greater comfort of use



Variable inclination of the machine, for better balance and safe operation



Independent adjustment of the support wheels: optimal set-up for each type of use

MADE IN ITALY

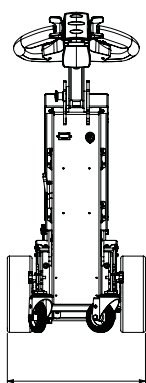
ARSAM

www.arsam.es

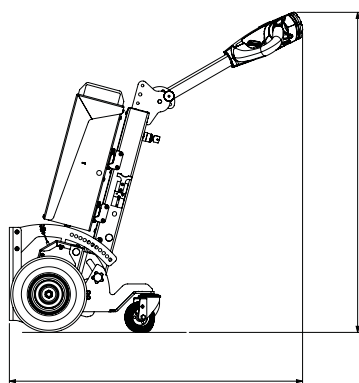
The LT300 is a battery-powered tug with tiller drive. It has been designed to move trolleys and other containers on wheels safely and comfortably, reducing physical effort and improving productivity. It is equipped with an emergency stop that can be easily activated from the driving tiller. This tug is particularly suitable for internal handling of trolleys at airports, hospitals, factories, warehouses, etc. Various configurations are possible, choosing between different types of batteries and tires. It can be set up with accessories that make the standard product adaptable to multiple uses.

ALITRAK[®]
ELECTRIC MINDED

www.alitrak.com

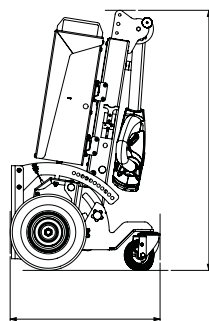


453 mm



961 mm

1049 mm



491 mm

852 mm

FEATURES

Equipment body	2 traction wheels and 2 support wheels
Traction wheels	250 mm Superelastic
Driving control type	Foldable tiller
Accelerator	Butterfly type
Battery charger	External 5A
Dashboard display	Remaining battery charge
Parking brake	Electromagnetic
Batteries	AGM type, 2 x 12 V/33 Ah C20
Electric motor	24V / 300 watt S 2 20 min
Product net weight	80 Kg

PERFORMANCES

Weight movement capacity on flat surface up to*	1000 Kg
Pulling speed	4,5 Km/h approx.
Pushing speed	2,5 Km/h approx.
Battery recharging time	8 hours

*The weight movement capacity is an indication., that can change with different machine fittings and working conditions (type of ground,wheel type,use of ballast,etc.)

Features shown are subject to change without notice

ACCESSORIES



Hook for 40 mm profile



Hook for Ø20mm pin trolley attachment



Batteries with different amperage



No marking wheel



Ballast 6kg X 2



Flashing light

ALITRAK[®]
ELECTRIC MINDED

www.alitrak.com