

TT600

BATTERY-POWERED ELECTRIC TUG
TO PULL LOADS **UP TO 2000 KG**

ZERO EMISSIONS

QUIET

LOW MAINTENANCE



Compact dimensions,
ideal for transport
and storage in narrow
spaces



**Folding and height
adjustable tiller** for
better comfort of use



Butterfly accelerator,
easy to control with
your thumb



**Battery charger on
board,** display with
light indication of
charge status

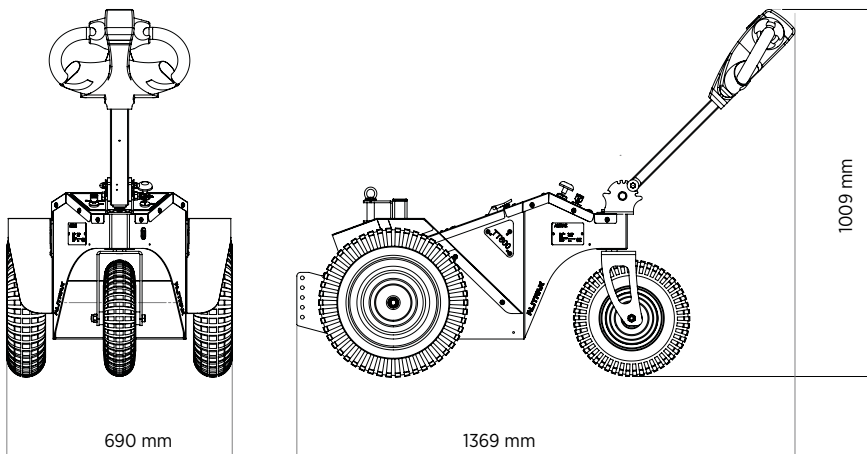
ARSAM

www.arsam.es

The TT-600 is a towing equipment, with three wheels and tiller steering. It has been designed to easily move trailer trolleys and other containers on wheels, in safety and comfort, reducing physical stress and improving productivity. Many configurations are possible by choosing among different types of batteries and tires. It can be fitted with several accessories that make the standard product adaptable to many uses.

ALITRAK[®]
ELECTRIC MINDED

www.alitrak.com



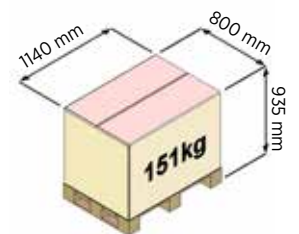
FEATURES

Equipment body	3 wheels
Driving wheel	Trailer type
Driving control type	Foldable tiller
Accelerator	Butterfly type
Hook height	430 mm abt
Battery charger	On board
Dashboard display	Remaining battery charge
Parking brake	Electromagnetic with the possibility of release
Batteries	Flooded 2 x 12V/72 Ah C20 (or AGM 2 x 12V/85 Ah C20)
Electric motor	24V/600 watt S2 20 min
Product net weight	130 kg

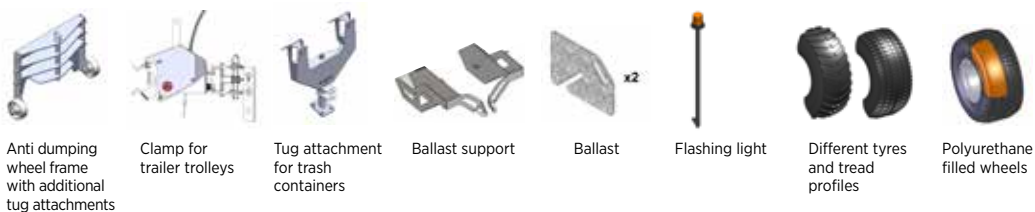
PERFORMANCES

Pulling capacity on flat surface	2000 Kg
Pulling speed	4,5 Km/h
Pushing speed	2,5 Km/h
Battery recharging time	8 hours

Features shown are subject to change without notice



ACCESSORIES



ALITRAK[®]
ELECTRIC MINDED

www.alitrak.com